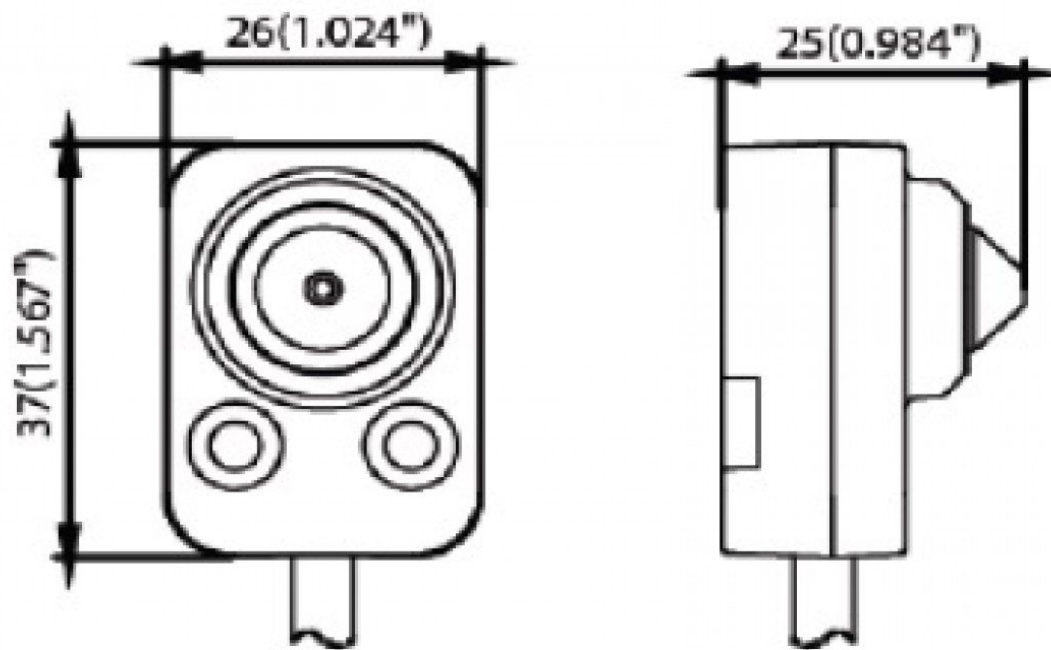


## 2MP WDR Pinhole IP Camera

### Product Images

---





## Short Description

---

SKU: PHF2MP-4

- 1920 x 1080 high resolution
- 120dB WDR
- ROI codec
- On-board storage, up to 64GB
- Triple video streams
- Rotate mode
- Audio/Alarm IO

## Additional Information

---

Camera Smart Features	Motion Detection, Line Crossing, Intrusion Detection, Face Detection
Image Sensor	1/3" Progressive Scan CMOS
Min. Illumination	0.009 lux@F1.2, AGC ON, 0 lux with IR
Shutter Time	No
Lens Type	Fixed
Focal Length Fixed	4MM
Field of View Fixed	75°
Face Recognition	Not Applicable
Day & Night	IR cut filter with auto switch
Digital Noise Reduction	3D DNR
Wide Dynamic Range	True WDR 120dB
Video Compression	H.264 / MPEG4
H.264 Codec Profile	Baseline/Main/High profile
Bitrate Min.	32 Kbps
Bitrate Max	16384 Kbps
Max Resolution	1920X1080, 30FPS
Supported Resolutions	1920X1080, 1280 X 720
Adjustable image Settings	Saturation, Brightness, Contrast, Sharpness.
Backlight Compensation	Yes, Zone Configurable.
Network Storage	NAS
Alarm Triggers	Motion detection, tampering alarm, network disconnect, IP address conflict, storage exception
Alarm Input	No
Alarm Output	No
Audio In	No
Audio Out	No

Protocols	TCP/IP, HTTP, DHCP, DNS, DDNS, RTP, RTSP, PPPoE, SMTP, NTP, SNMP, HTTPS, FTP, 802.1x, Qos (SIP, SRTP, IPv6 optional)
Interoperability	ONVIF, PSIA, CGI
Security	Flicker less, heartbeat, mirror, user authentication, video mask, watermark
Communication Interface	1 RJ45 10 M / 100 M Ethernet interface
Operating Conditions	(14°F ~ 140 °F) Humidity 90% or less (non-condensing)
Power Supply	12 VDC ± 10% , PoE (802.3af)
Power Consumption	Max. 5W - 7W
Weather Proof Rating	No
Dimensions	No
Weight	1.1 lbs
IR distance	No
Onboard Storage	None
Product Warranty	No