

Bola Installation Manual

1 Overview

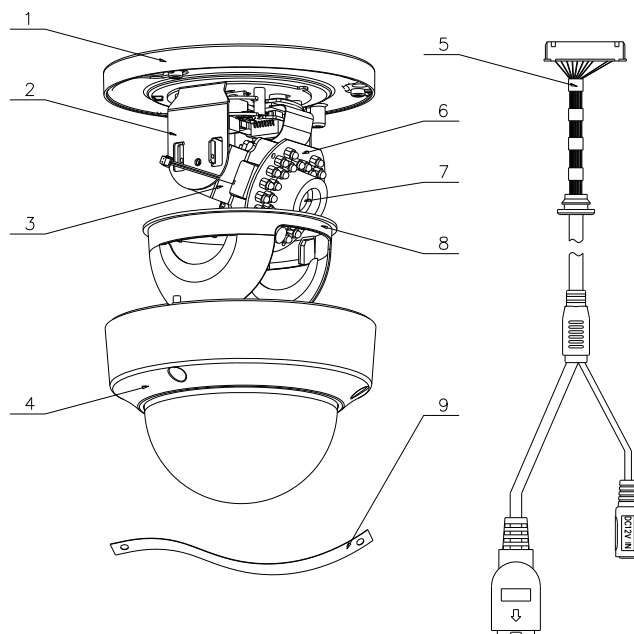


Figure 1 Overview

Table 1 Physical Description

| No. | Description |
|-----|------------------------|
| 1 | Mounting base |
| 2 | Horizontal stand |
| 3 | Vertical stand |
| 4 | Lower dome |
| 5 | Cables |
| 6 | Plate of infrared lamp |
| 7 | Lens |
| 8 | Black Liner |
| 9 | Safety rope |

2 Installation

Notes:

- Read the following contents carefully before the installation.
- Check the specification of the products for the installation environment.
- Make sure that all the related equipment is power-off during the installation.
- Check whether the power supply is matched with your AC outlet to avoid any damage.

- Do not place the camera in extremely hot or damp environment. To avoid heat accumulation, good ventilation is required for a proper operating environment.
- If the product does not function properly, please contact your dealer or the nearest service center. Do not disassemble the camera for repair or maintenance by yourself.
- Ceiling mounting is recommended for this camera.

Note: The ceiling must be thick enough to withstand more than three times the weight of the camera.

Steps:

1. Drill the screw holes on the ceiling with the supplied drilling template. If you need to route the cables from the bottom of the camera, cut a cable hole in the ceiling.

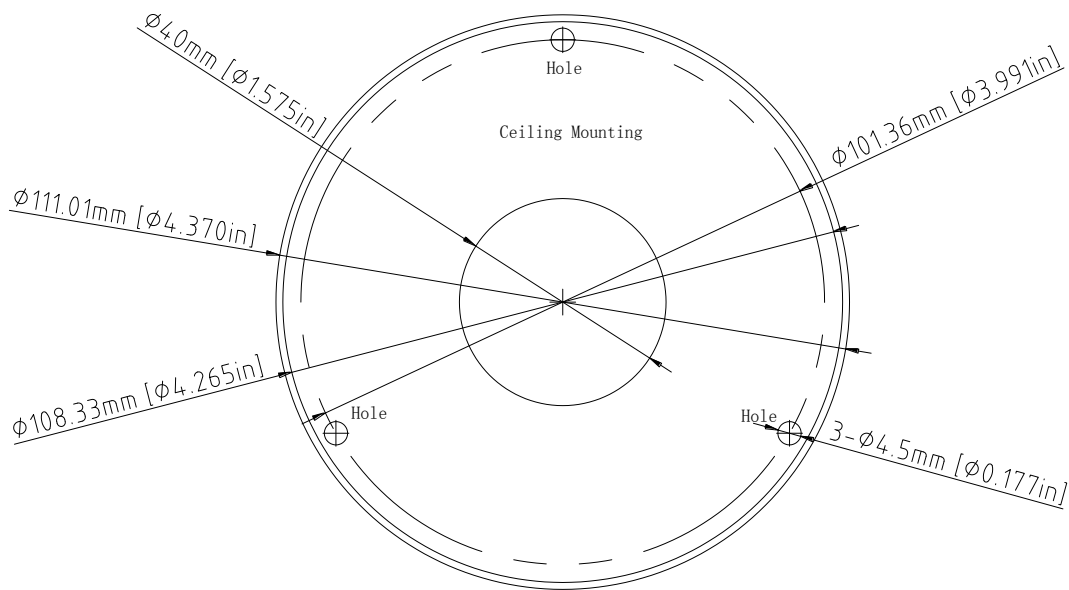


Figure 2 Drill Template

2. Loosen the set screws with a hex key (supplied) to remove the lower dome.

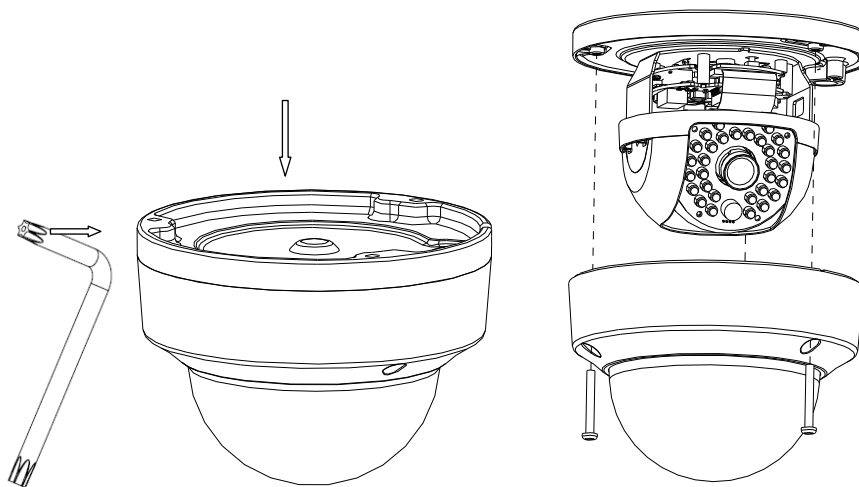


Figure 3 Remove the Lower Dome

3. Fix the mounting base on the ceiling with screws.

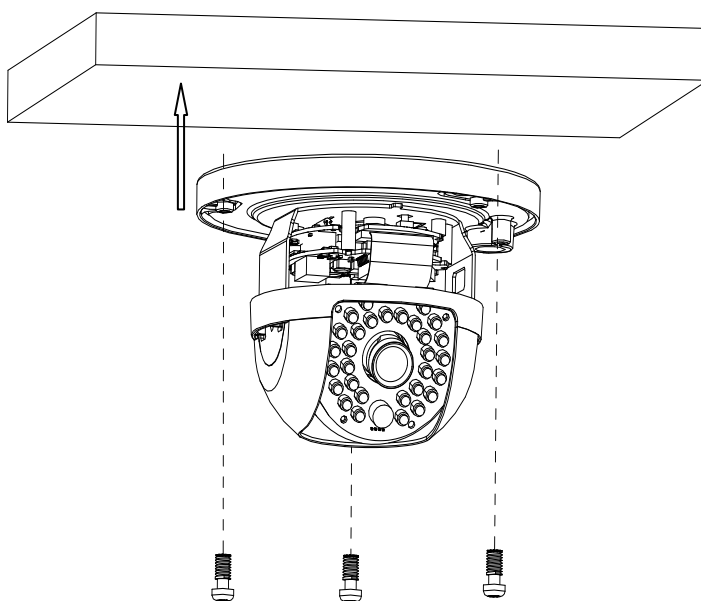


Figure 4 Fix the Mounting Base

Note: If required, you can route cables through the side opening on the side of the mounting base.

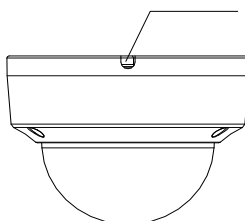


Figure 5 Side Opening

4. Loosen the tilt lock screws, adjust the tilting position in a range of 65 degrees, and tighten the tilt lock screws. Rotate the black liner to adjust the panning position in a range of 360 degrees until getting the desired surveillance angle.

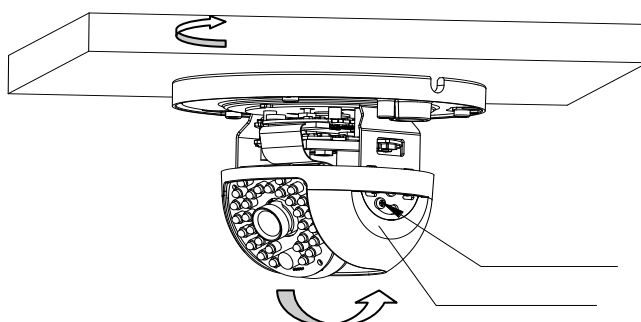


Figure 6 Angle Adjusting

Note: As the lens of camera has already been factory adjusted to the best imaging effect, you just need to adjust the panning position and tilting position to get the desired surveillance angle.

5. Reinstall the lower dome and tighten the screws.

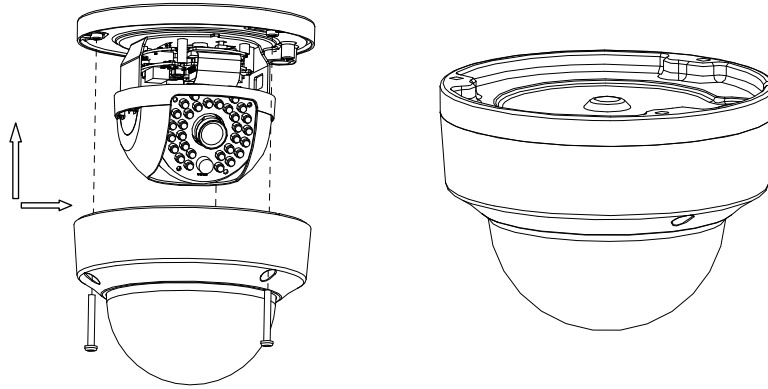


Figure 7 Reinstall