

Pebble IP Camera Installation Guide

1 Appearance

Camera description:

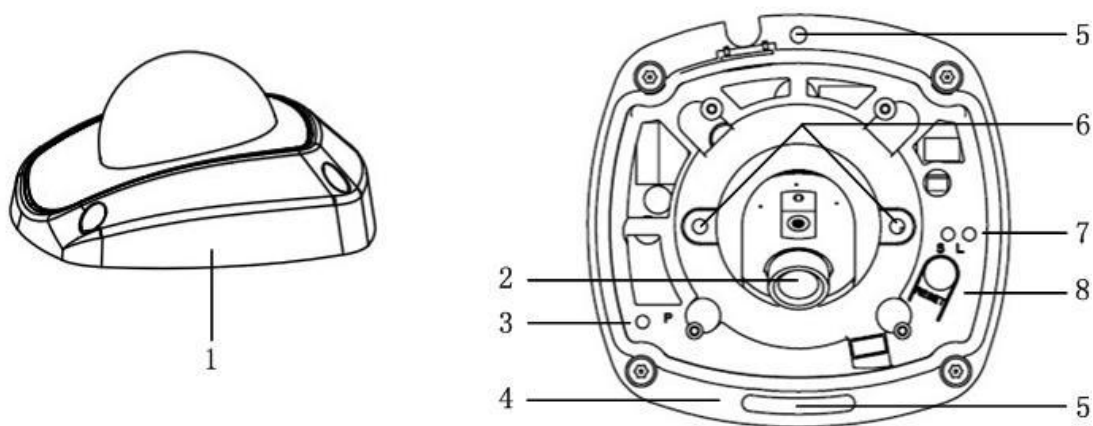


Figure 1 Overview

Table 1 Description

No.	Description
1	Cover
2	Lens
3	P: Power LED indicator, It is solid red when power is applied to the unit.
4	Base plate
5	Set screw hole
6	Set screw of lens
7	S & L: Network status LED indicator. When the network is connected, the "S" LED is solid yellow, while the "L" LED flashes orange.
8	RESET: Reset button.

Note:

To reset the default parameters to the camera, you need to press and hold the RESET button and power on the camera. After the power on of the camera, you must still press and hold the Reset button for about 20 seconds

Camera wiring Diagram:

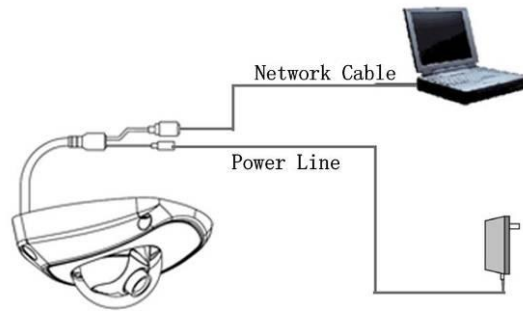


Figure 2 Wiring Diagram

2 Installation

The ceiling mounting is recommended for this camera.

Note: If required, you can use a plier to remove the clip on the side of the back box and then route cables through the opening to secure the cables on the ceiling.

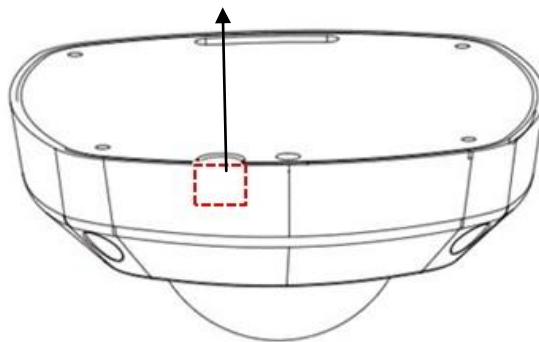


Figure 3 Remove the Clip

Steps:

1. Loosen the set screws with a hex key (supplied) to remove the cover.

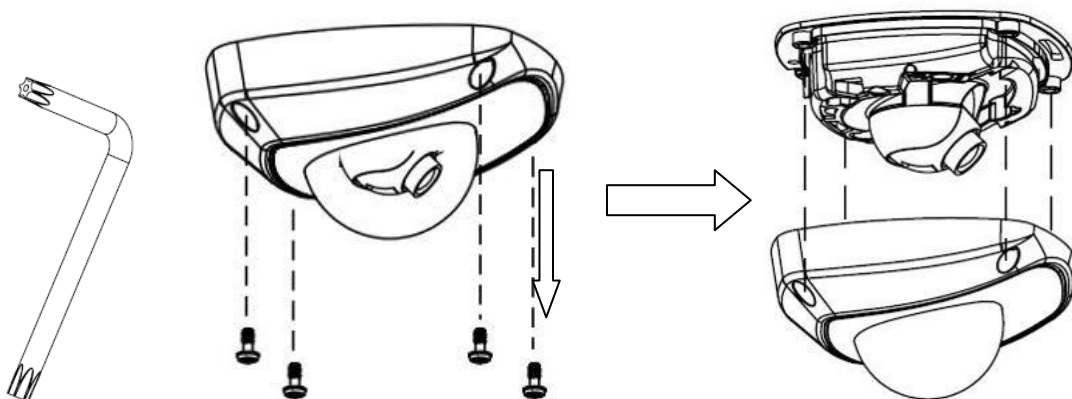


Figure 4 Remove the Cover

2. Use the screws to fix the base plate on the ceiling.

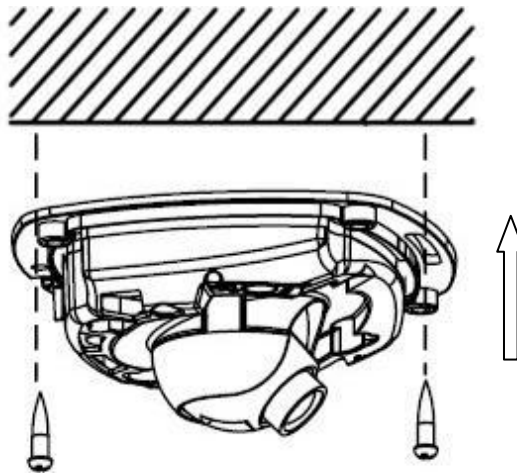


Figure 5 Fix the Base Plate

3. View the video image of the camera over the network.
4. Loosen the lens set screws.

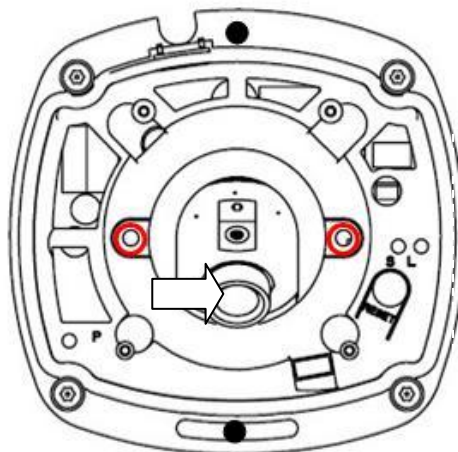


Figure 6 Loosen Set Screws

5. Insert the hex key into the hole marked in the Figure 6-7 and rotate the hex key to adjust the panning position and tilting position until getting the desired surveillance angle. Tighten the set screws.

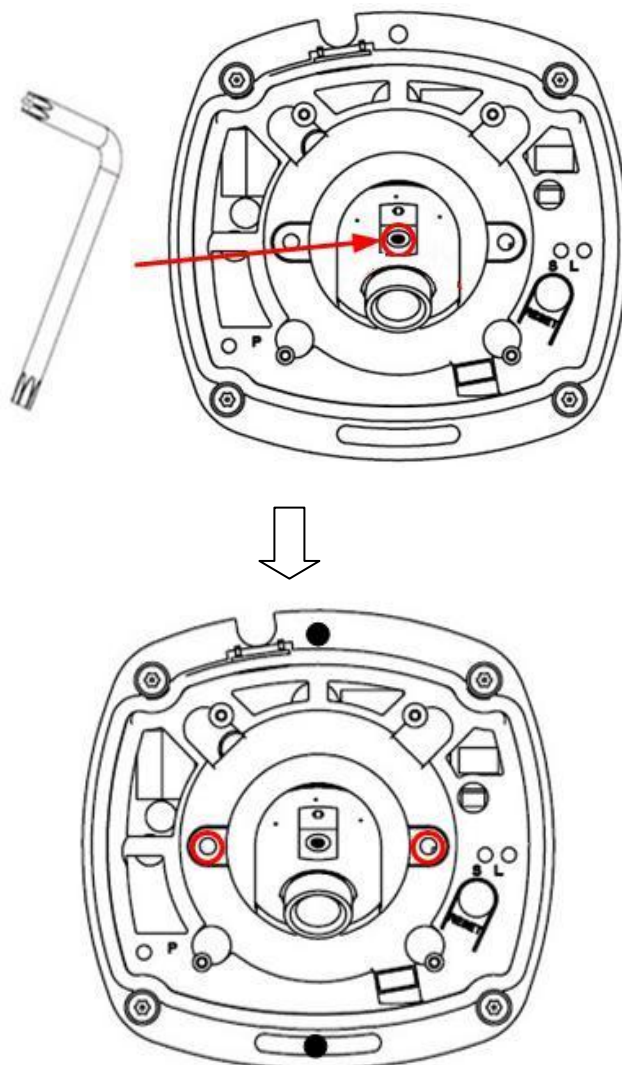


Figure 7 Adjust Image

Notes:

- As the lens of camera has already been factory adjusted to the best imaging effect, you just need to adjust the panning position and tilting position to get the desired surveillance angle.
- Reinstall the cover before viewing the image of the camera because you may get an unclear image without the cover.

6. Reinstall the cover, and tighten the set screws.

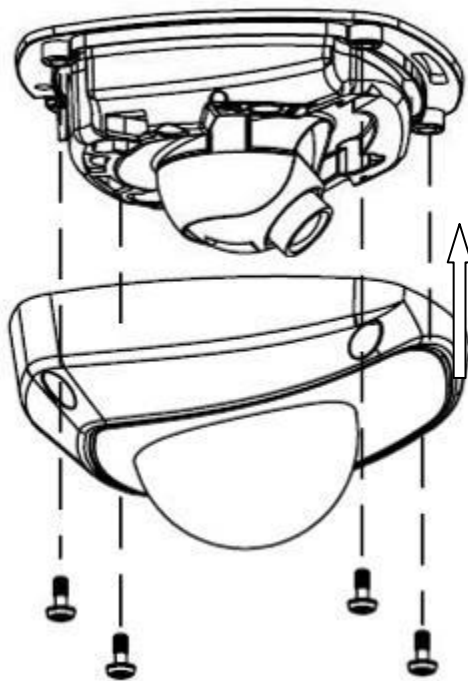


Figure 8 Reinstall

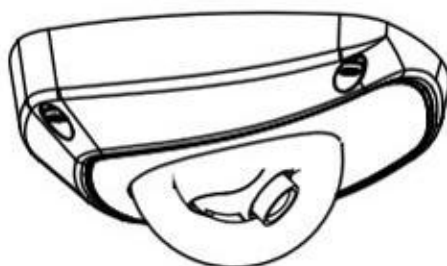


Figure 9 Reinstall